

NOTES:
 1. LINK 1.6 FOR 1.6-3.1
 2. WHEN WIDE BAND FILTER Z203 IS USED, Z3 IS 730kHz & Z201 IS 1813kHz.

* Rx (250uV)
 THIS RECEIVE TEST IS AT 45MHz AND HAS A 10k RESISTOR IN SERIES WITH THE 50 ohm SOURCE & CAPACITOR.

CODAN		SCALE	CODAN PTY. LTD., A.C.N. 007 550 685, 1994	
DRN	DB	DATE	Rx/EXCITER	
CHKD	NJA	14-12-92	(RF MIXER & SYNTHESISERS)	
APPD	NJA	20-12-94	DRAWING/DOC. NO	
FINISH		UNLESS OTHERWISE STATED	A1 04-02972	
2 PLACES DEC.		1 PLACE DEC. *	ISS	
ANGULAR			SHT 1	
			OF 2	

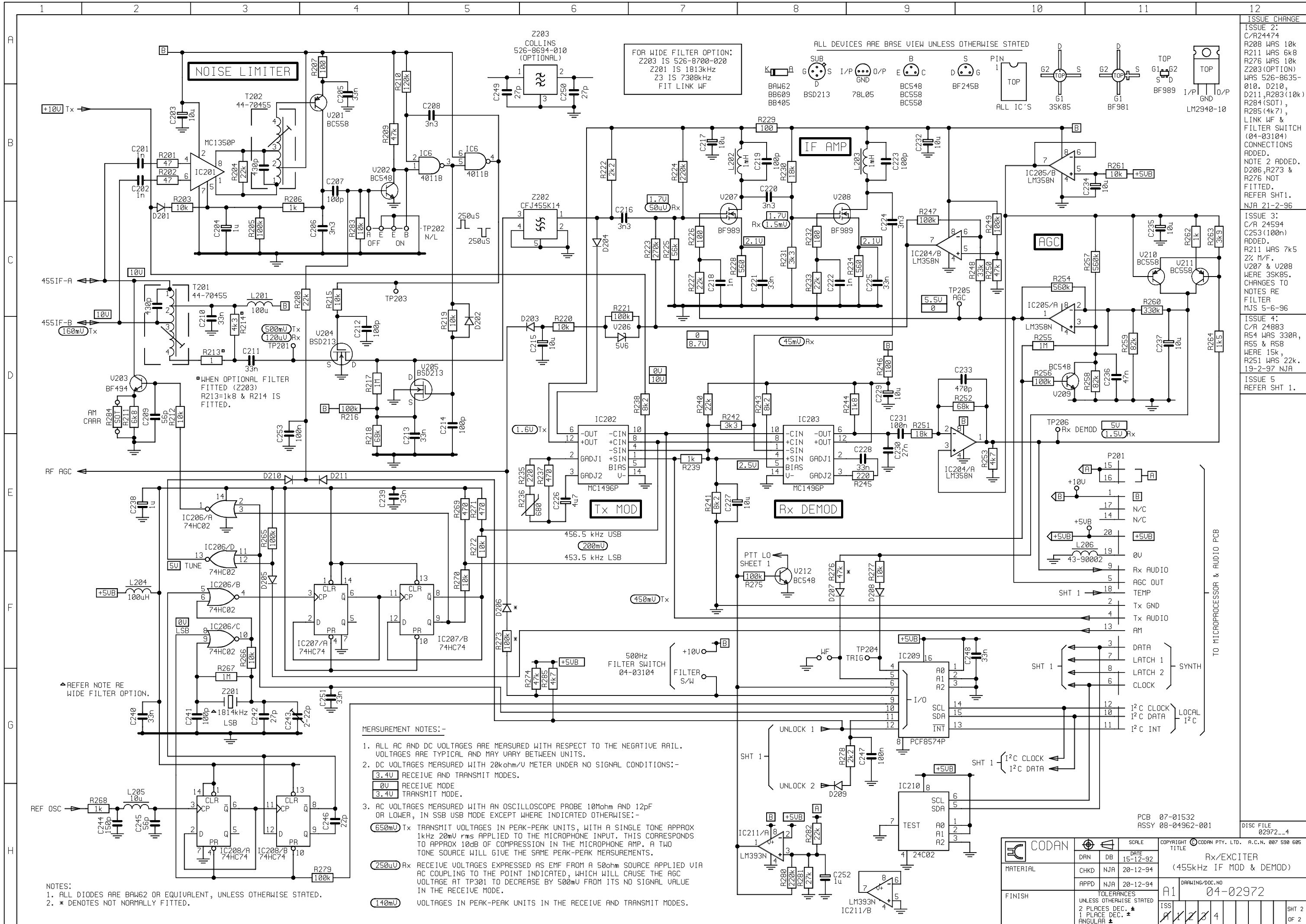
ISSUE CHANGE
 ISSUE 2:
 C/R 24474
 R64 WAS 470R
 C148 (2n2),
 R96 (1k),
 U16 (BF494) &
 LINKS 1.6 &
 RF AMP DISABLE,
 CRYSTAL OVEN
 ADDED.
 NOTES ADDED.
 REFER SHT 2.
 NJA 21-2-96
 ISSUE 3:
 C/R 24594
 REFER SHT 2.
 MJS 6-5-96
 ISSUE 4:
 C/R 24883
 R54 WAS 330R,
 R55 & R58 WERE
 15k, R251 WAS
 22k.
 19-2-97 NJA
 ISSUE 5
 C55 AND C56
 WERE 2p2.
 C/R 25040

FILE NAME
 03\04962_5.SCH

PCB 07-01532
 ASSY 08-04962-001

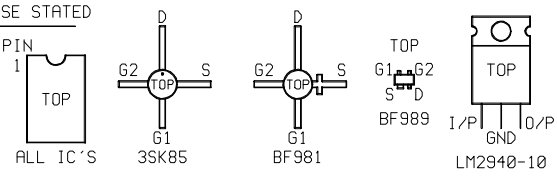
SHEET
 2

FROM SHT 2



FOR WIDE FILTER OPTION:
 Z203 IS 526-8700-020
 Z201 IS 1813kHz
 Z3 IS 7300kHz
 FIT LINK WF

ALL DEVICES ARE BASE VIEW UNLESS OTHERWISE STATED



NOISE LIMITER

IF AMP

AGC

Tx MOD

Rx DEMOD

- MEASUREMENT NOTES:-**
- ALL AC AND DC VOLTAGES ARE MEASURED WITH RESPECT TO THE NEGATIVE RAIL. VOLTAGES ARE TYPICAL AND MAY VARY BETWEEN UNITS.
 - DC VOLTAGES MEASURED WITH 20kohm/V METER UNDER NO SIGNAL CONDITIONS:-
 - 3.4V RECEIVE AND TRANSMIT MODES.
 - 0V RECEIVE MODE
 - 3.4V TRANSMIT MODE.
 - AC VOLTAGES MEASURED WITH AN OSCILLOSCOPE PROBE 10Mohm AND 12pF OR LOWER, IN SSB USB MODE EXCEPT WHERE INDICATED OTHERWISE:-
 - 650mV Tx TRANSMIT VOLTAGES IN PEAK-PEAK UNITS, WITH A SINGLE TONE APPROX 1kHz 20mV rms APPLIED TO THE MICROPHONE INPUT. THIS CORRESPONDS TO APPROX 10dB OF COMPRESSION IN THE MICROPHONE AMP. A TWO TONE SOURCE WILL GIVE THE SAME PEAK-PEAK MEASUREMENTS.
 - 250uV Rx RECEIVE VOLTAGES EXPRESSED AS EMF FROM A 50ohm SOURCE APPLIED VIA AC COUPLING TO THE POINT INDICATED, WHICH WILL CAUSE THE AGC VOLTAGE AT TP301 TO DECREASE BY 500mV FROM ITS NO SIGNAL VALUE IN THE RECEIVE MODE.
 - 140mV VOLTAGES IN PEAK-PEAK UNITS IN THE RECEIVE AND TRANSMIT MODES.

- NOTES:**
- ALL DIODES ARE BAW62 OR EQUIVALENT, UNLESS OTHERWISE STATED.
 - * DENOTES NOT NORMALLY FITTED.

ISSUE CHANGE

ISSUE 2:
 C/R24474
 R208 WAS 10k
 R211 WAS 6k8
 R276 WAS 10k
 Z203 (OPTION)
 WAS 526-8635-
 010. D210,
 D211, R283(10k)
 R284 (SOT),
 R285 (4k7),
 LINK WF &
 FILTER SWITCH
 (04-03104)
 CONNECTIONS
 ADDED.
 NOTE 2 ADDED.
 D206, R273 &
 R276 NOT
 FITTED.
 REFER SHT.1.
 NJA 21-2-96

ISSUE 3:
 C/R 24594
 C253(100n)
 ADDED.
 R211 WAS 7k5
 2% M/F.
 U207 & U208
 WERE 3SK85.
 CHANGES TO
 NOTES RE
 FILTER
 MJS 5-6-96

ISSUE 4:
 C/R 24883
 R54 WAS 330R,
 R55 & R58
 WERE 15k,
 R251 WAS 22k.
 19-2-97 NJA

ISSUE 5
 REFER SHT 1.

PCB 07-01532
 ASSY 08-04962-001

CODAN		SCALE	COPYRIGHT
DRN	DB	DATE	CODAN PTY. LTD. A.C.N. 007 598 605
CHKD	NJA	15-12-92	
APPD	NJA	20-12-94	
FINISH		TOLERANCES	
		UNLESS OTHERWISE STATED	
		2 PLACES DEC. ±	
		1 PLACE DEC. ±	
		ANGULAR ±	

DISC FILE 02972_4

Rx/EXCITER
 (455kHz IF MOD & DEMOD)

DRAWING/DOC. NO 04-02972

SHT 2 OF 2